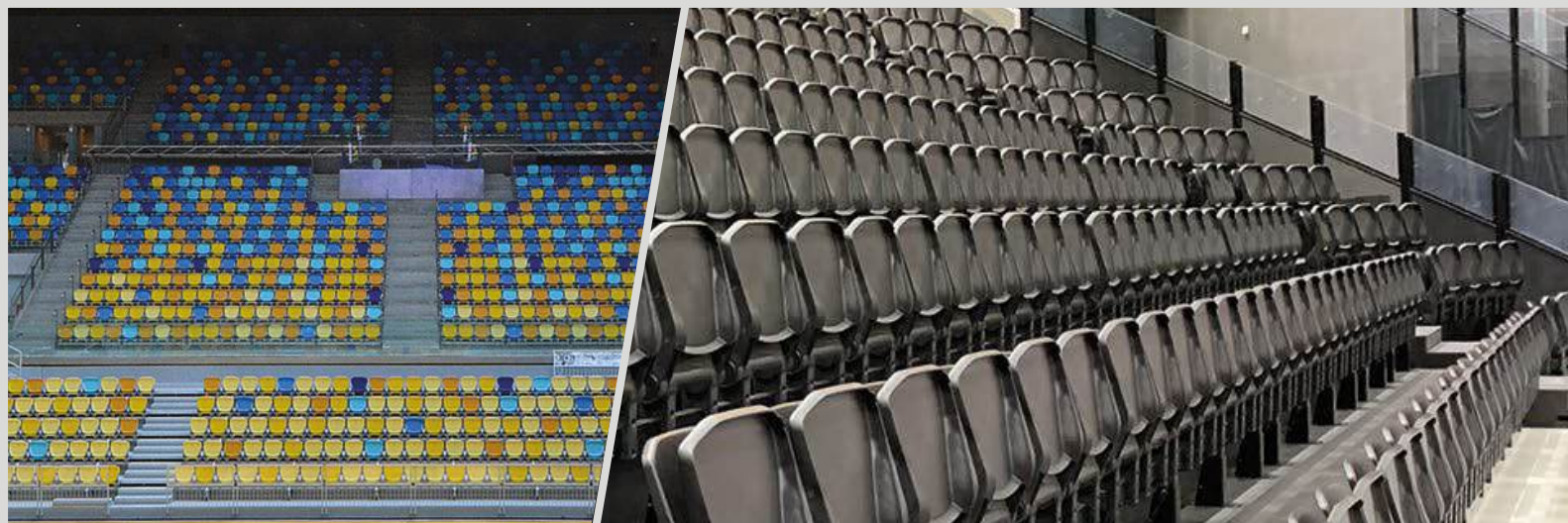


 **STADION
STOELEN.NL**

daplast

SEATING IS OUR GAME



 **avatar**TM



Avatar

Folding Seats

GENERAL DESCRIPTION

Folding seat with high backrest, recommended for first class sports facilities or VIP areas. The rail fixing system is adaptable to any geometry or need, and can be installed on individual brackets or on benches up to 4 seats. It can be fixed to the floor or to the riser of the row, offering in each case the ideal solution for the venue. Installation system allows a quick assembly and easy maintenance of the seats installed.

The rail has a 60x40mm standard metal section. This system allows obtaining a customized and flexible audience capacity, according to the event. The Avatar seat optimizes the space between rows – when folded it only occupies 200 mm of depth.

Level 4
Severe public use
according to
UNE-EN13200
regulation.

Recommended in:
Football Stadiums
Arena and Sports Pavilions
Auditoriums and Leisure Venues

ASSOCIATED COMPANY
AIDIMME
METAL-PROCESSING, FURNITURE, WOOD AND PACKAGING
TECHNOLOGY INSTITUTE



TECHNICAL DESCRIPTION

Seat and backrest manufactured by injection, moulded in high quality stabilized plastic (copolymer polypropylene) fixed by a structure made of polyamide with a 30% fiberglass load (PA). Spring folding system. Avatar mechanical resistance is tested according to UNE-EN 12727. Protection against UV light according to UNE-EN 13200-4 standard. Flame retardant on demand.

PREMIUM OPTION: Upholstered seat and backrest, weather-resistant fabric.

SUITE OPTION: Fully upholstered seat, recommended for first class stadiums or VIP areas. Folded it only occupies 230 mm of depth.

BRACKETS

Fixing system adaptable to any geometry of the grandstands. Riser or floor mounted benches (up to 4 seats) or individual brackets fixed by 3 anchoring points. Both, benches and brackets, are made of steel, with rail section dimensions 60x40 mm.



BASIC

Avatar Folding Seats



reddot award 2016
winner



Seat and backrest manufactured by injection moulding.

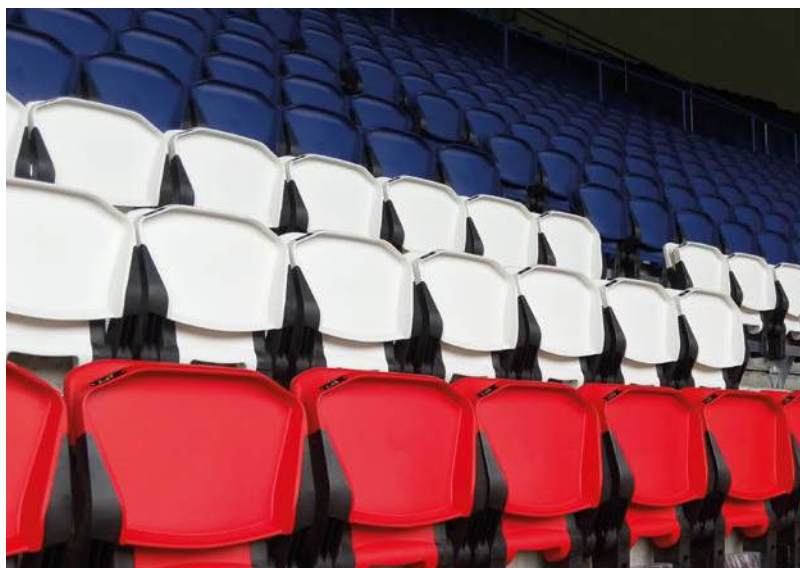


COMPACT

Avatar Folding Seats



Seat and backrest manufactured by injection moulding. Compact version of AVATAR basic seat, with measures designed to install it on a very narrow tread bleachers or for sports venues that need to optimize its audience capacity.



PREMIUM

Avatar Folding Seats



Seat and backrest manufactured by injection moulding, upholstered seat and backrest.

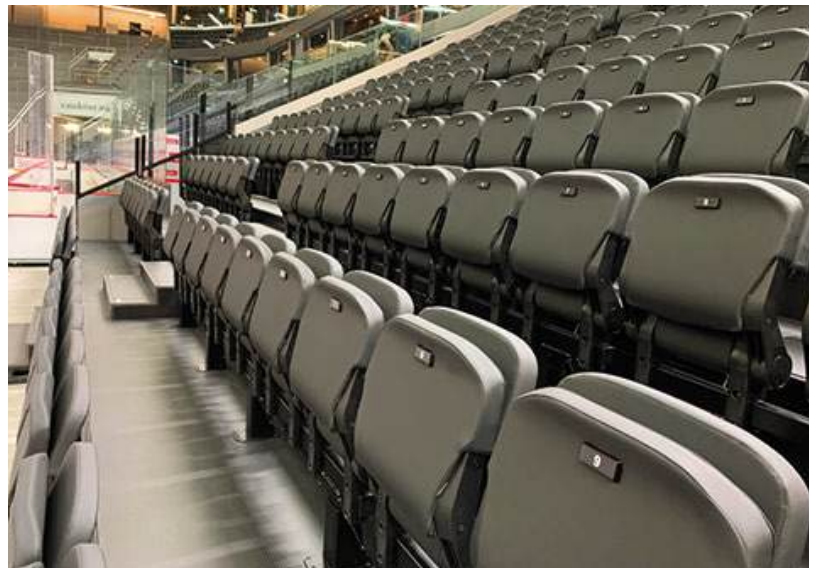


SUITE

Avatar Folding Seats



Fully upholstered seat, covered with injected polyurethane foam, upholstered with weather-resistant fabric.



METAL COATING

Tested by salt spray test applied during 500 hours without metal base corrosion.



Hot dip galvanized by immersion. Galvanized coating thickness of 55-70 µm according to UNE-EN 1179 and UNE-EN ISO 1461 (Table 2).



Cataphoresis and epoxy-polyester powder paint. Coating thickness of 60-80 µm. RAL 9005.

COLOURS AND FINISHING

SEAT AND BACKREST

We develop any RAL colour technically available according to each project.



SIDE STRUCTURE

1150
RAL 9005

Manufactured by injection in polyamide reinforced with fiberglass of great resistance. Black colour.



ACCESSORIES

NUMBERING PLATES

Available row and seat numbering in aluminium or vandal resistant vinyl. Fixed with rivets or adhesive. Seat numbering plate dimensions 40x20 mm.



AVATAR SUITE NUMBERING PLATES

Aluminium vandal-resistant adhesive plate. 60x20x0,60 mm.

ARMREST FIXED TO BACKREST

Manufactured in polyamide reinforced with fiberglass up to 30%. Mechanical resistance according to UNE-EN 12727.



FOLDING ARMREST

Recommended in telescopic stands. Dimensions: 400x266x45 mm. Armrest structure made in polyamide reinforced with fiberglass up to 30%, with a top part made of copolymer polypropylene. The armrest is fixed to the rail. It complies with mechanical resistance according to the UNE-EN 12727.



FIXED ARMREST

Fixed to the rail. Dimensions: 360x250x60 mm. Manufactured in polyamide reinforced with fiberglass up to 30%. Mechanical resistance according to UNE-EN 12727.



CUPHOLDER

Fixed to the rail. Dimensions: 100x163x96 mm. Ø75 mm of diameter. Manufactured in polypropylene.



Fixed to the armrest. Dimensions: 100x110x90 mm. Ø75 mm of diameter. Manufactured in polypropylene.

EXTRA ACCESSORIES AND FINISHINGS FOR PREMIUM AND SUITE VERSIONS



UPHOLSTERY

Wide range of colours available for outdoor and indoor. According to project.

FIXED ARMREST UPHOLSTERED

Side upholstery according to project, for indoor or outdoor.

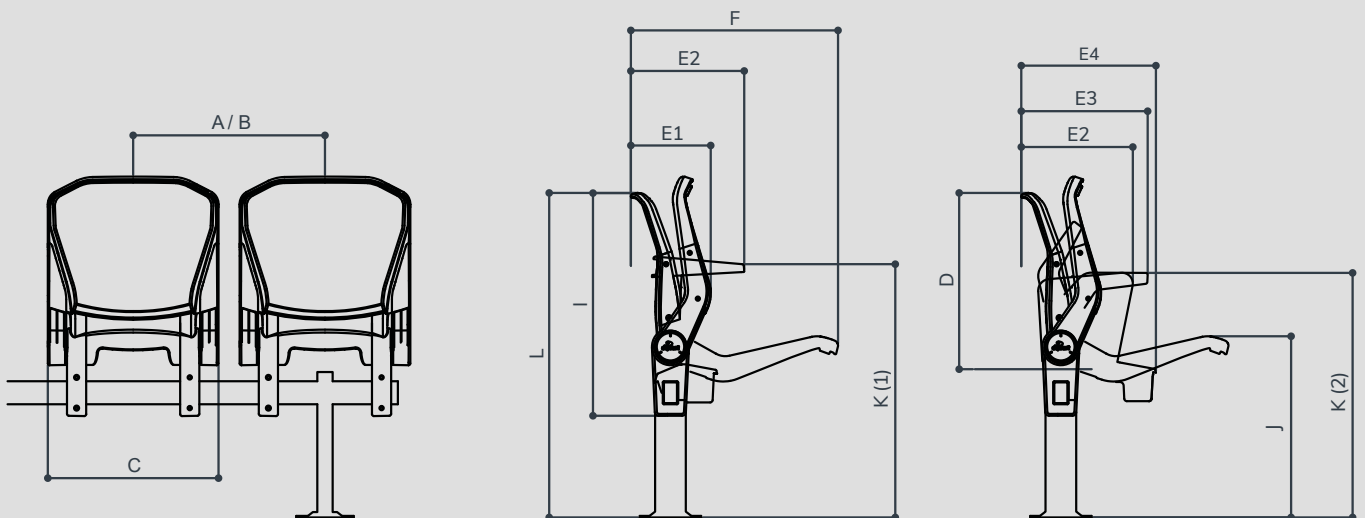


BASIC & PREMIUM

Avatar Folding Seats

SEATS AND ACCESSORIES DIMENSIONS

Dimensions (mm) Dimensional variation (+/- 5 mm)	Seat	Shared armrest					Double Armrest					
		Fixed to the backrest	Fixed to the backrest with cupholder	Fixed to the rail	Fixed to the rail with cupholder	Folding armrest	Fixed to the backrest	Fixed to the backrest with cupholder	Fixed to the rail	Fixed to the rail with cupholder	Folding armrest	
Minimum distance between axes (A)	445	500	550	500	560	505	550	550	555	585	555	
Recommended distance between axes [B]	450	500	550	500	560	510	550	550	560	615	560	
Minimum seat width [C]	445											
Depth (closed seat) (E1,E2,E3 y E4)	E1 (200)	E2 (300)	E2 (300)	E2 (300)	E4 (352)	E3 (330)	E2 (300)	E2 (300)	E2 (300)	E4 (352)	E3 (330)	
Depth (open seat) (F)	540											
Depth (closed seat and armrest up) [E1]							200					200
Seat height (I)							630					
Backrest height (D)							480					
Open seat-base height [J]							450					
Armrests height (K)			(1) 658		(2) 637		(1) 658		(2) 637			
Overall height (L)							850					

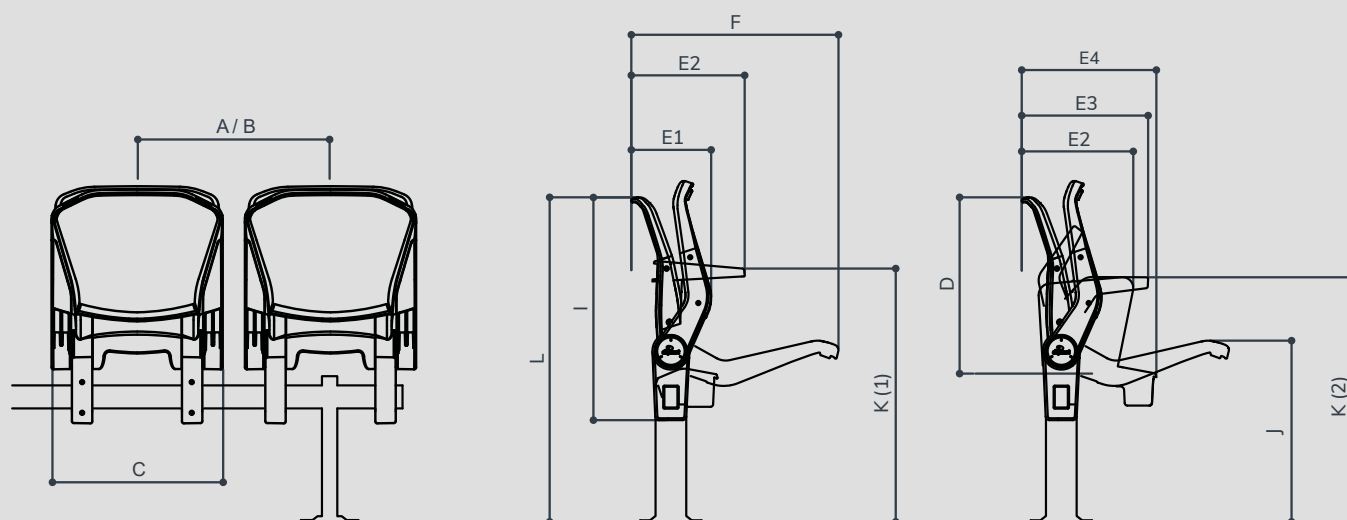


COMPACT

Avatar Folding Seats

SEATS AND ACCESSORIES DIMENSIONS

Dimensions (mm) Dimensional variation (+/- 5 mm)	Seat	Shared armrest					Double Armrest					
		Fixed to the backrest	Fixed to the backrest with cupholder	Fixed to the rail	Fixed to the rail with cupholder	Folding armrest	Fixed to the backrest	Fixed to the backrest with cupholder	Fixed to the rail	Fixed to the rail with cupholder	Folding armrest	
Minimum distance between axes (A)	420	480	550	480	540	480	530	530	535	560	530	
Recommended distance between axes [B]	450	500	550	500	550	500	550	550	550	600	550	
Minimum seat width [C]	420						520					
Depth (closed seat) (E1,E2,E3 y E4)	E1 (200)	E2 (300)	E2 (300)	E2 (300)	E4 (352)	E3 (330)	E2 (300)	E2 (300)	E2 (300)	E4 (352)	E3 (330)	
Depth (open seat) (F)	480											
Depth (closed seat and armrest up) [E1]							200					200
Seat height (I)	580											
Backrest height (D)	480											
Open seat-base height [J]	450											
Armrests height (K)	(1) 658		(2) 637			(1) 658		(2) 637				
Overall height (L)	850											



SUITE

Avatar Folding Seats

SEATS AND ACCESSORIES DIMENSIONS

Dimensions (mm) Dimensional variation (+/- 5 mm)	Seat	Shared armrest					Double Armrest				
		Fixed to the backrest	Fixed to the backrest with cupholder	Fixed to the rail	Fixed to the rail with cupholder	Folding armrest	Fixed to the backrest	Fixed to the backrest with cupholder	Fixed to the rail	Fixed to the rail with cupholder	Folding armrest
Minimum distance between axes (A)	445	500	550	500	560	505	550	550	555	585	555
Recommended distance between axes [B]	450	500	550	500	560	510	550	550	560	615	560
Minimum seat width [C]	445										
Depth (closed seat) (E1,E2,E3 y E4)	E1 (230)	E2 (300)	E2 (300)	E2 (300)	E4 (352)	E3 (330)	E2 (300)	E2 (300)	E2 (300)	E4 (352)	E3 (330)
Depth (open seat) (F)	560										
Depth (closed seat and armrest up) [E1]	230						230				
Seat height (I)	645										
Backrest height (D)	530										
Open seat-base height [J]	450										
Armrests height (K)	(1) 658		(2) 637			(1) 658		(2) 637			
Overall height (L)	880										

